

# FUZHOU RAJEYN ELECTRONIC SCI-TEC., LTD.

ADD: No 1 Shiziting Road, Cangshan district, Fuzhou city, Fujian Province P.C.: 350008  
 Email: info@rajeyn.com Tel: +86-591-83519869

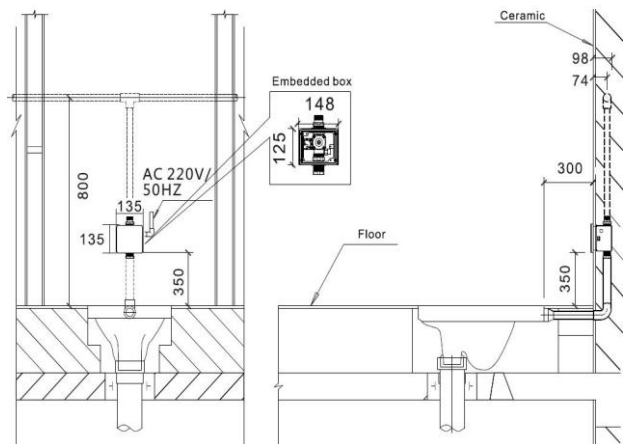
## General Information

<b>Model</b>	RJY-30-S106AD
<b>Type</b>	Concealed Toilet Sensor Flusher
<b>Material</b>	304 Stainless Steel Sensor Panel
<b>Valve</b>	Pulse solenoid valve
<b>Net Weight</b>	1.8KG
<b>Gross Weight</b>	2.5KG
<b>Warranty</b>	One Year



## Technical Parameters

<b>Working Voltage</b>	DC3V & AC220V
<b>Average static power</b>	<40uA
<b>Instant dynamic power</b>	<600mA
<b>Working water pressure</b>	0.2-0.7MPa
<b>Default Sensor distance</b>	65±6cm to Standard White Board (About 45cm to Human Body)
<b>Adjustable Sensor Range</b>	50-80cm to Standard White Board
<b>Response Time</b>	3S
<b>Flush duration</b>	After-flush: 4s
<b>Environment temperature</b>	1~40°C
<b>Medium temperature</b>	0~65°C
<b>Inlet/Outlet diameter</b>	G1"



## Package Information

<b>Inner package</b>	375*165*112
<b>Outer package</b>	525*395*360
<b>Quantity per carton</b>	9

## Product Feature

- 1) Automatic on/off: Infrared sensor toilet flusher automatically turns on and off (Convenience & Hygiene).
- 2) Adjustable sensor range by a remote controller.
- 3) Flush program: Normal Mode flush time 4s.
- 4) Low power indication: This may indicate it is time to replace existing batteries with new ones or there is not enough power going to unit.
- 5) Water saving: Water efficient toilet flusher reduces overall water usage without sacrificing water pressure.
- 6) Energy saving: Battery shall last approximately 3000 times/month for one year.